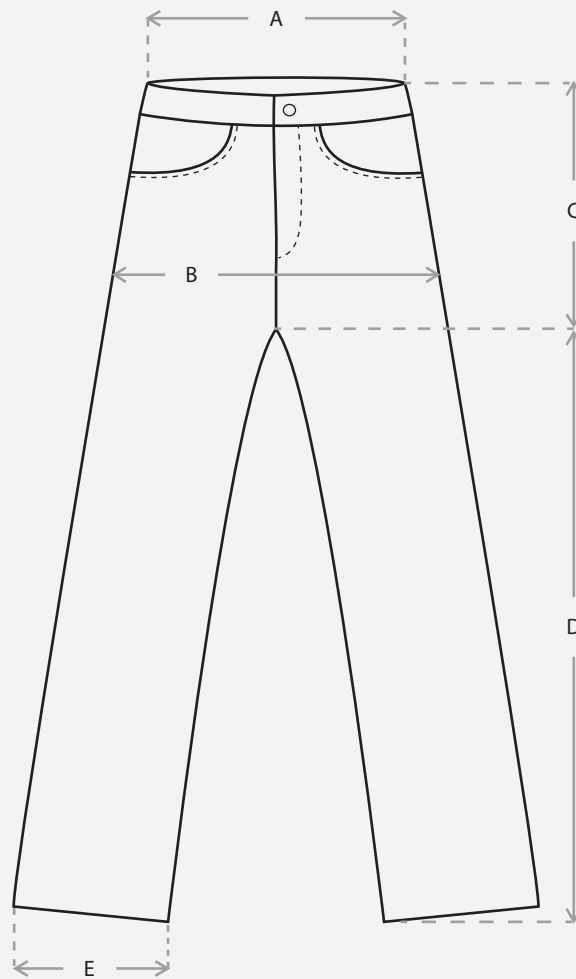


# SERAPIS



	XS		S		M		L	
	cm	in	cm	in	cm	in	cm	in
A. WAIST	34	13.5	36	14.25	38	15	40	15.75
B. HIPS	46	18	48	19	50	19.5	52	20.5
C. RISE	26	10.25	26,5	10.5	27	10.75	27,5	11
D. INSIDE LEG	79	31	80	31.5	81	32	82	32.5
E. LEG OPENING	23	9	23,5	9.25	24	9.5	25	9.75